



LED 2034

LED 2035

833.74.090

833.74.150

833.74.091

833.74.151

732.28.360

12 V System		K	W	T <sub>A</sub>	mm	mm	=	
833.74.090		4000 K	≤ 17 W	-20 °C – +35 °C -4 °F – +95 °F	450 x 50 x 15.5	460 x 60 x 25.5	<b>Loox</b> 12 V	2x 1 A 2x 5 V
833.74.091								
833.74.150			1.5 W					
833.74.151								

**i**

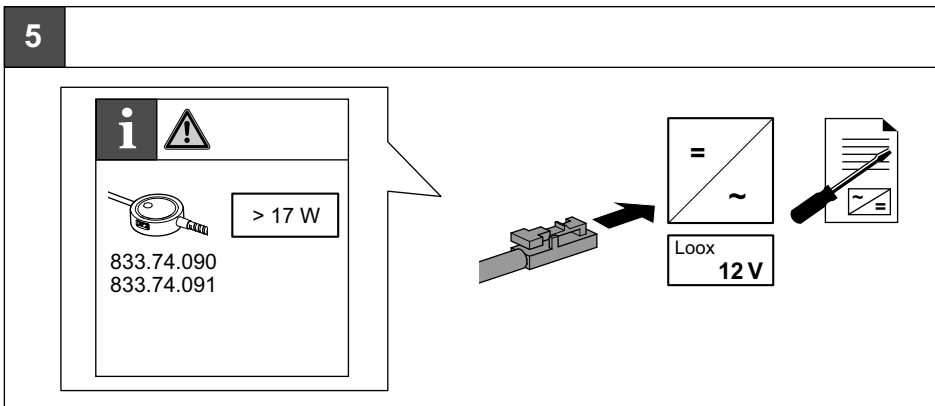
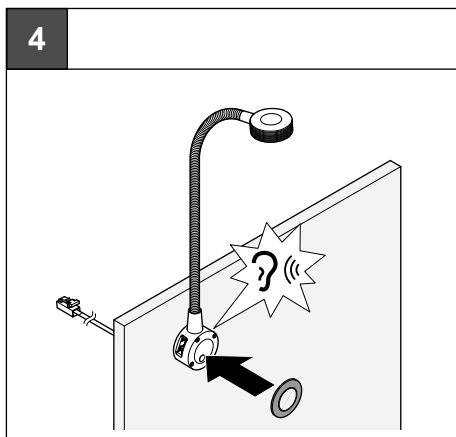
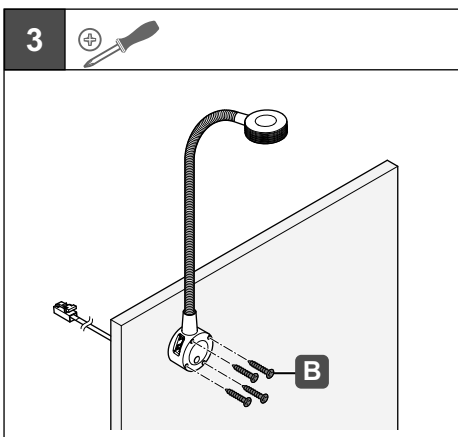
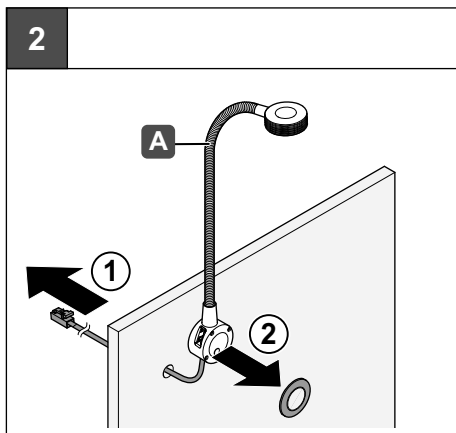
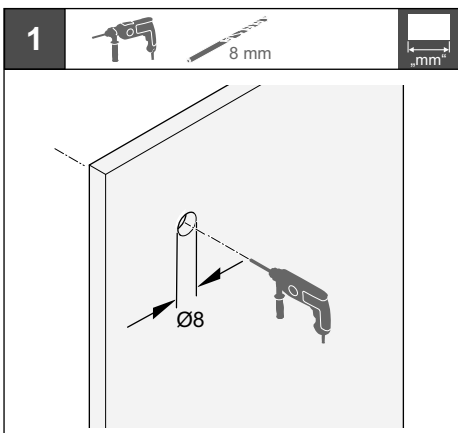
833.74.090  
833.74.091

2x

833.74.150  
833.74.151

100 - 240 V~

HDE0 4/2015



732.28.360

HDE0 4/2015